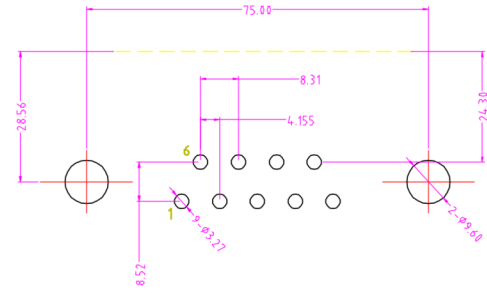
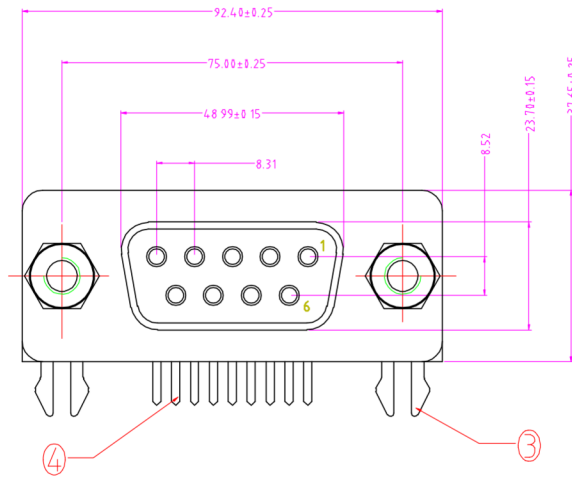
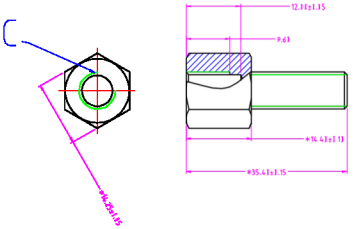


NOTE: ALL MATERIAL COMPLIANT ROHS STANDARD

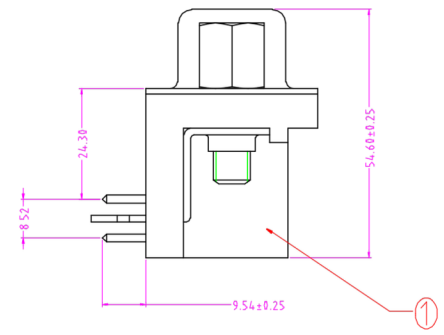
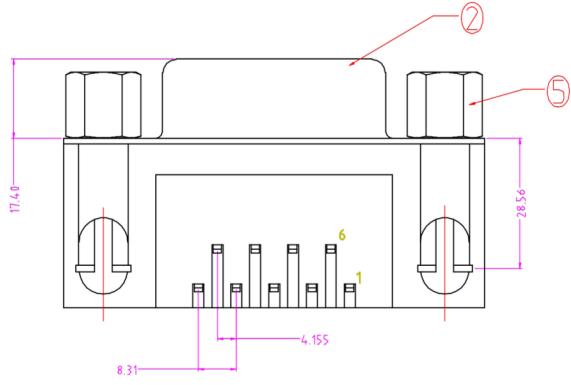
REVISION INFORMATION			
Rev.	Rev. Date	Modified By	Brief Description



#4-40UNC



P.C.B LAYOUT



MATERIAL&FINISH

- Shell:** SPCC Material,Nickel Plating
- Insulator:** P.B.T+30% Glass Fiber(UL94V-0)
- Contact Finish:** Gold Flash On Contact Area, Tin Plated On Solder Tail ,under Plated Nickel
- Contact Material:** Brass
- Z flake:** SPCC Material, Tin Plating
- Screw:** 12L14, Nickel Plating

ELECTRICAL CHARACTERISTICS

- Current Rating:** 5amps
- Withstanding Voltance:** 1000v(one Minute)
- Insulation Resistance:** 1000mΩ Min.at 500V DC
- Operating Temperature:** -50℃~+105℃

5	SCREW	12L14	CU:60U" Ni:80U"		2
4	CONTACT	BRASS(C2680)	Ni:50U", AU:1U" & TIN:100-120U"	0.20mm	9
3	Z FLAKE	SPCC	CU:60U", TIN:80-100U"	0.60mm	2
2	SHELL	SPCC	CU:60U", Ni:80U"	0.35mm	1
1	INSULATOR	PBT+30%G.F UL94V-0(BLACK)			1SET
NO.	PART NAME	DESCRIPTION	PLATING	THICKNESS	Q'TY

LANshack

Sales@LANshack.com | 888-568-1230

DRAWN BY	DATE: 2012.11.12	DESCRIPTION: DB9 Female Right Angle Connector 9 Pin	
CHECKED BY	SHEET 1 of 1	ITEM NO. LSBL-CON-DB9-F-RAC	
APPROVED BY	SCALE 1:1	REV. 00	UNIT: mm